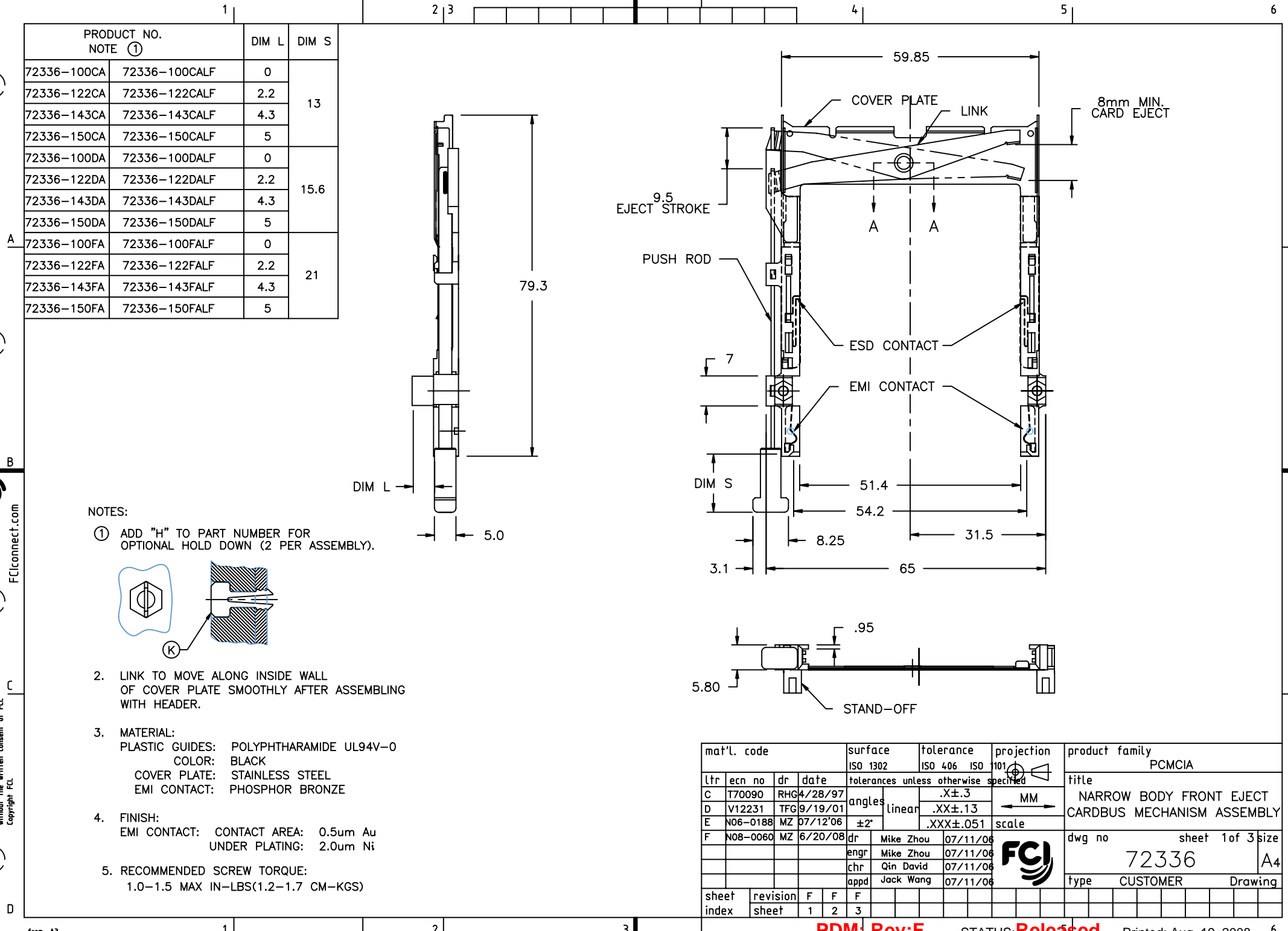


FCI CONFIDENTIAL

FCI

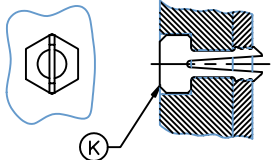
This document is the property of and embodies CONFIDENTIAL and PROPRIETARY information of FCI. No part of the information shown on this document may be used in any way or disclosed to others without the written consent of FCI. Copyright FCI.



PRODUCT NO. NOTE ①		DIM L	DIM S
72336-100CA	72336-100CALF	0	13
72336-122CA	72336-122CALF	2.2	
72336-143CA	72336-143CALF	4.3	
72336-150CA	72336-150CALF	5	15.6
72336-100DA	72336-100DALF	0	
72336-122DA	72336-122DALF	2.2	
72336-143DA	72336-143DALF	4.3	
72336-150DA	72336-150DALF	5	21
72336-100FA	72336-100FALF	0	
72336-122FA	72336-122FALF	2.2	
72336-143FA	72336-143FALF	4.3	
72336-150FA	72336-150FALF	5	

NOTES:

① ADD "H" TO PART NUMBER FOR OPTIONAL HOLD DOWN (2 PER ASSEMBLY).



2. LINK TO MOVE ALONG INSIDE WALL OF COVER PLATE SMOOTHLY AFTER ASSEMBLING WITH HEADER.

3. MATERIAL:
 PLASTIC GUIDES: POLYPHTHARAMIDE UL94V-0
 COLOR: BLACK
 COVER PLATE: STAINLESS STEEL
 EMI CONTACT: PHOSPHOR BRONZE

4. FINISH:
 EMI CONTACT: CONTACT AREA: 0.5um Au
 UNDER PLATING: 2.0um Ni

5. RECOMMENDED SCREW TORQUE:
 1.0-1.5 MAX IN-LBS(1.2-1.7 CM-KGS)

mat'l. code		surface ISO 1302		tolerance ISO 406 ISO 1101		projection MM		product family PCMCIA	
ltr		ecn no		dr		date		title	
C	T70090	RHG	4/28/97	tolerances unless otherwise specified		linear		NARROW BODY FRONT EJECT	
D	V12231	TFG	9/19/01	angles		.X±.3		CARDBUS MECHANISM ASSEMBLY	
E	N06-0188	MZ	07/12/06	±2'		.XX±.13		scale	
F	N08-0060	MZ	6/20/08	dr		.XXX±.051		dwg no	
				enr		07/11/06		sheet 1 of 3 size	
				chr		07/11/06		72336	
				appd		07/11/06		A4	
sheet		revision		F		F		F	
index		sheet		1		2		3	

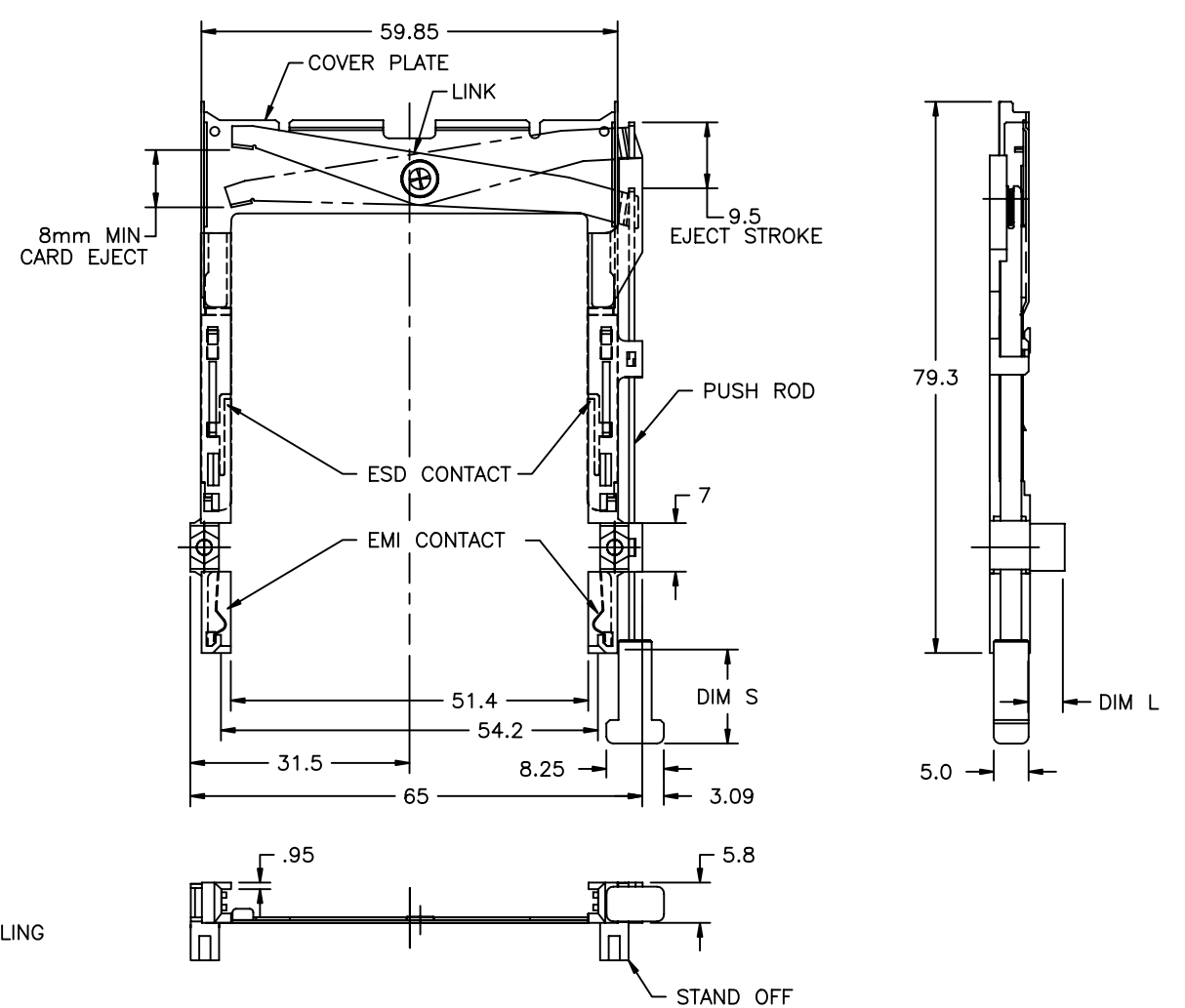
FCI CONFIDENTIAL

FCI

This document is the property of and embodies CONFIDENTIAL and PROPRIETARY information of FCI. No part of the information shown on this document may be used in any way or disclosed to others without the written consent of FCI. Copyright FCI.

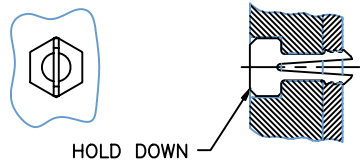
1 | 2 | 3 | 4 | 5 | 6

PRODUCT NO. NOTE ①		DIM L	DIM S
72336-000CA	72336-000CALF	0	13
72336-022CA	72336-022CALF	2.2	
72336-043CA	72336-043CALF	4.3	
72336-050CA	72336-050CALF	5	15.6
72336-000DA	72336-000DALF	0	
72336-022DA	72336-022DALF	2.2	
72336-043DA	72336-043DALF	4.3	
72336-050DA	72336-050DALF	5	21
72336-000FA	72336-000FALF	0	
72336-022FA	72336-022FALF	2.2	
72336-043FA	72336-043FALF	4.3	
72336-050FA	72336-050FALF	5	



NOTES:

① ADD "H" TO PART NUMBER FOR OPTIONAL HOLD DOWN (2 PER ASSEMBLY).



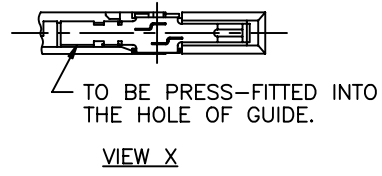
- LINK TO MOVE ALONG INSIDE WALL OF COVER PLATE SMOOTHLY AFTER ASSEMBLING WITH HEADER.
- MATERIAL:
PLASTIC GUIDES: POLYPHTHARAMIDE UL94V-0
COLOR: BLACK
COVER PLATE: STAINLESS STEEL
EMI CONTACT: PHOSPHOR BRONZE
- FINISH:
EMI CONTACT: CONTACT AREA: 0.5um Au
UNDER PLATING: 2.0um Ni
- RECOMMENDED SCREW TORQUE:
1.0-1.5 MAX IN-LBS(1.2-1.7 CM-KGS)

mat'l. code		surface	tolerance	projection	product family
		ISO 1302	ISO 406 ISO 1101		PCMCIA
ltr	ecn no	dr	date	tolerances unless otherwise specified	title
F				angles linear .X±.3 .XX±.13 ±2' .XXX±.051	NARROW BODY FRONT EJECT CARDBUS MECHANISM ASSEMBLY
				scale	MM
		dr	Mike Zhou	07/11/06	dwg no
		enr	Mike Zhou	07/11/06	sheet 2of 3 size
		chr	Qin David	07/11/06	72336
		appd	Jack Wang	07/11/06	A4
					type CUSTOMER Drawing
sheet index	revision sheet				

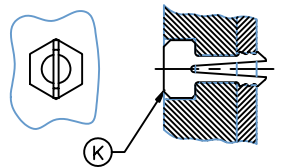
FCI CONFIDENTIAL

FCI
FCIconnect.com
This document is the property of and embodies CONFIDENTIAL and PROPRIETARY information of FCI. No part of the information shown on this document may be used in any way or disclosed to others without the written consent of FCI.
Copyright FCI

NOTE ①	PRODUCT NO.	① STAND-OFF PART NUM.	DIM L	DIM S	④ BUTTON PART NUM.	DIM M
72336-101CA	72336-100CALF	NONE	0	28.0	52211-002	103.05
72336-151CA	72336-150CALF	92706-005	5			



NOTES:
① ADD "H" TO PART NUMBER FOR OPTIONAL HOLD DOWN (2 PER ASSEMBLY).

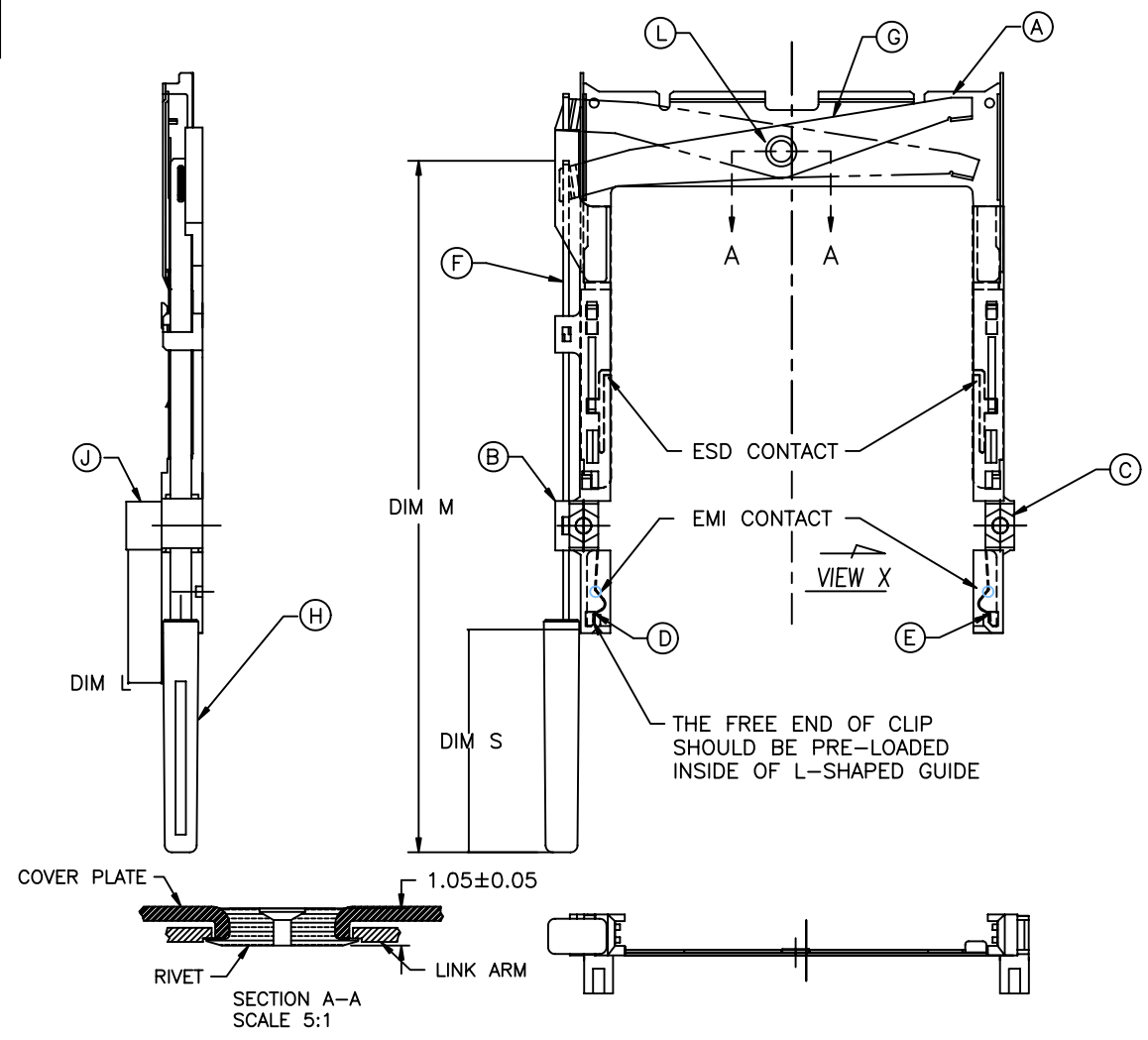


PART NO.	STAND-OFF
93925-001	0mm
93925-002	2.2mm
93925-003	4.3mm
93925-004	5mm

2. PACKAGING SPECIFICATION: GS-14-382

①	DESCRIPTION	P/N	Q'TY
①	RIVET	61723-002	1
②	HOLD-DOWN	SEE NOTE 1	2
③	STAND-OFF	SEE TABLE ABOVE	2
④	BUTTON	SEE TABLE ABOVE	1
⑤	LINK ARM	72227-001	1
⑥	PUSH ROD	95081-001	1
⑦	CLIP RIGHT	94836-110M	1
⑧	CLIP LEFT	94837-110M	1
⑨	RIGHT GUIDE	71731-002	1
⑩	LEFT GUIDE	71730-001	1
⑪	COVER PLATE	72228-001	1
No.	DESCRIPTION	P/N	Q'TY

72336-1XXXX



mat'l. code		surface	tolerance	projection	product family
		ISO 1302	ISO 406 ISO 1101		PCMCIA
ltr	ecn no	dr	date	tolerances unless otherwise specified	title
F				.X±.3 .XX±.13 .XXX±.051	NARROW BODY FRONT EJECT CARDBUS MECHANISM ASSEMBLY
				linear	MM
				±2'	scale 1: 1
		dr	Mike Zhou	07/11/06	dwg no
		enr	Mike Zhou	07/11/06	sheet 3of 3 size
		chr	Qin David	07/11/06	72336
		appd	Jack Wang	07/11/06	A4
					type CUSTOMER Drawing
sheet	revision				
index	sheet				